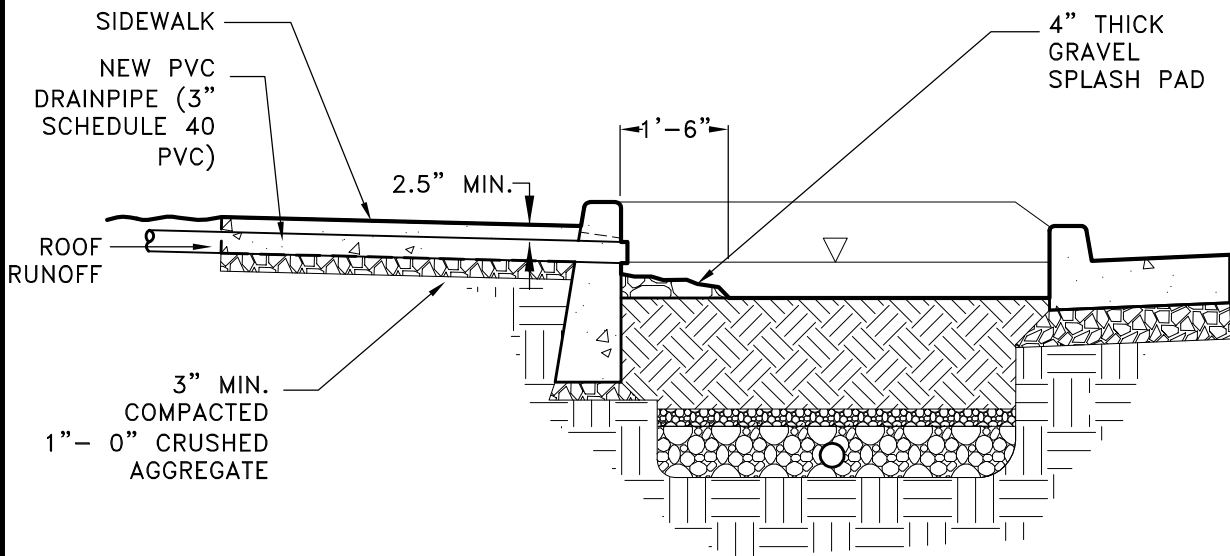


ROOF DRAIN TO SWALE



ROOF DRAIN TO PLANTER

NOTES

1. INVERT ELEVATION OF ROOF DRAIN PIPE SHALL BE SET TO MATCH GUTTER FLOW ELEVATION.
2. MITER PIPE END TO MATCH SIDE SLOPE OF SWALE. CONCRETE COLLAR REQUIRED TO PROTECT PIPE END AT SWALE.

CITY OF ALBANY, OREGON PUBLIC WORKS DEPARTMENT		
ROOF DRAIN CONNECTION TO SWALE AND PLANTER		
NO SCALE	JANUARY 2015	NO. 611